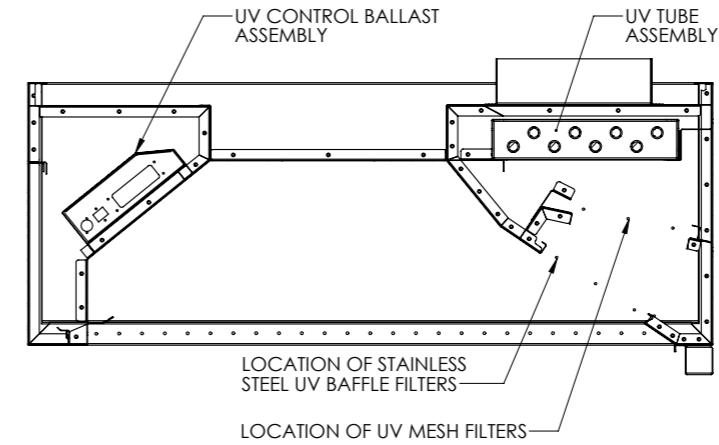


# Capture Vent Wall UV-C

CV-W-UV-C



## DESCRIPTION

UVC canopies are suitable for ceiling mounting in a wall or island configuration and can have added Capture Vent technology. The canopy includes an integral UV section within the filter bank to produce ozone to neutralise cooking odours. The UV bulbs are protected by high efficiency cyclone filters and a 2nd stage of 304G pre-filters to protect from grease prolonging their lifespan.

## KEY FEATURES

- Neutralise cooking odours
- Longer bulb lifespan due per-filters
- Bulbs can be easily replaced

## OPTIONS

